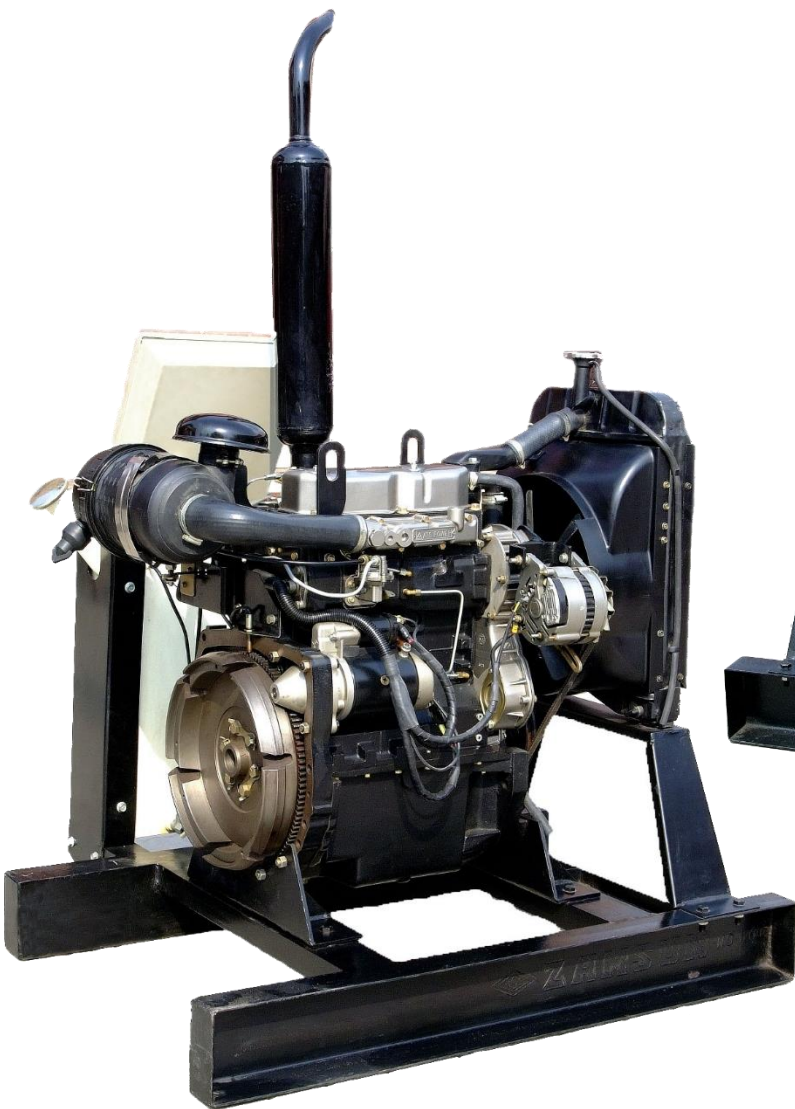




Diesel Engine Parts Catalogue

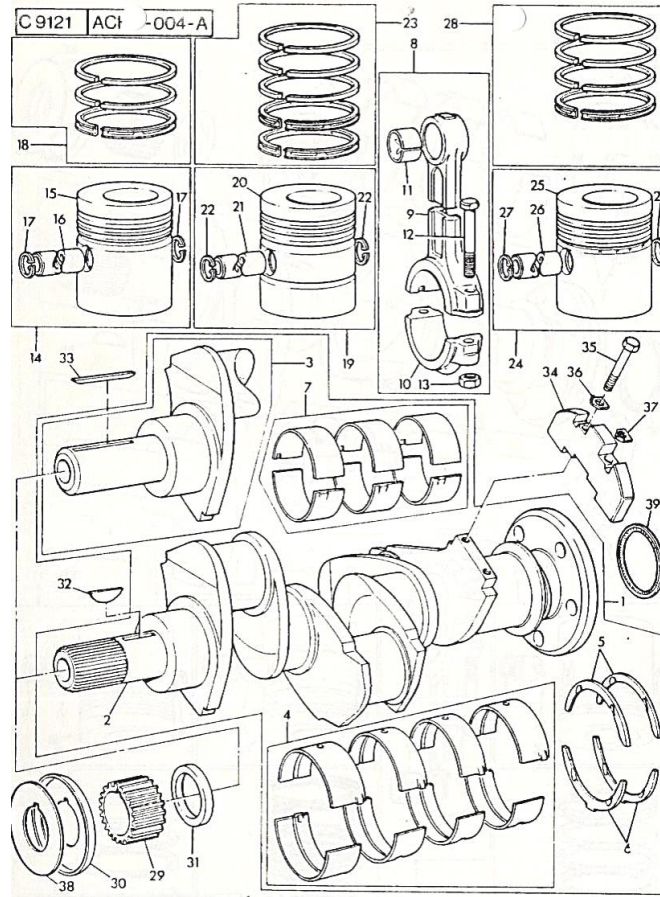
325 Series Engine

- 325-50V
- 325-50C



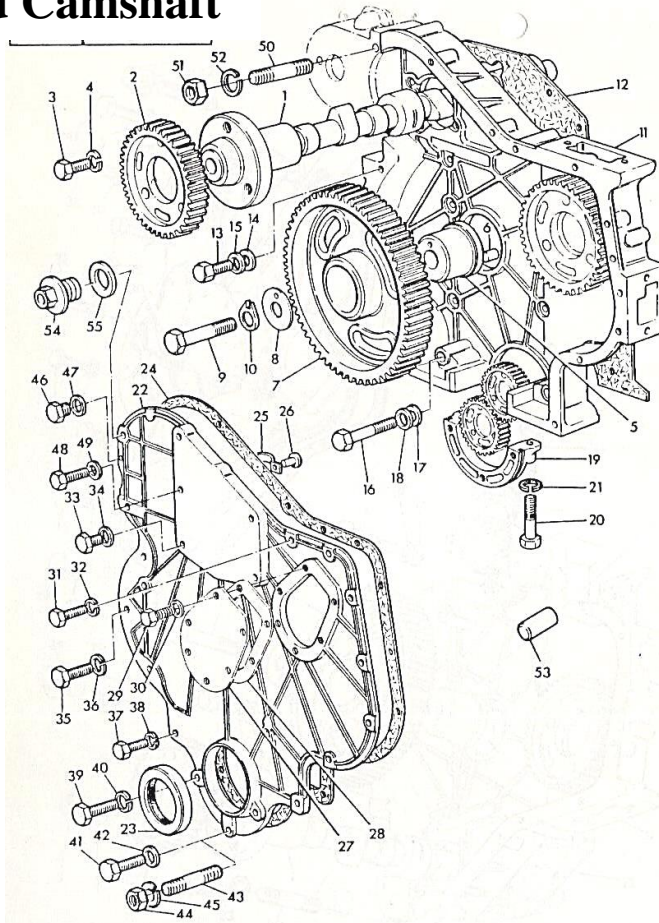
Parts of Stationery Engine Only

Crankshaft, Pistons and Connecting Rod



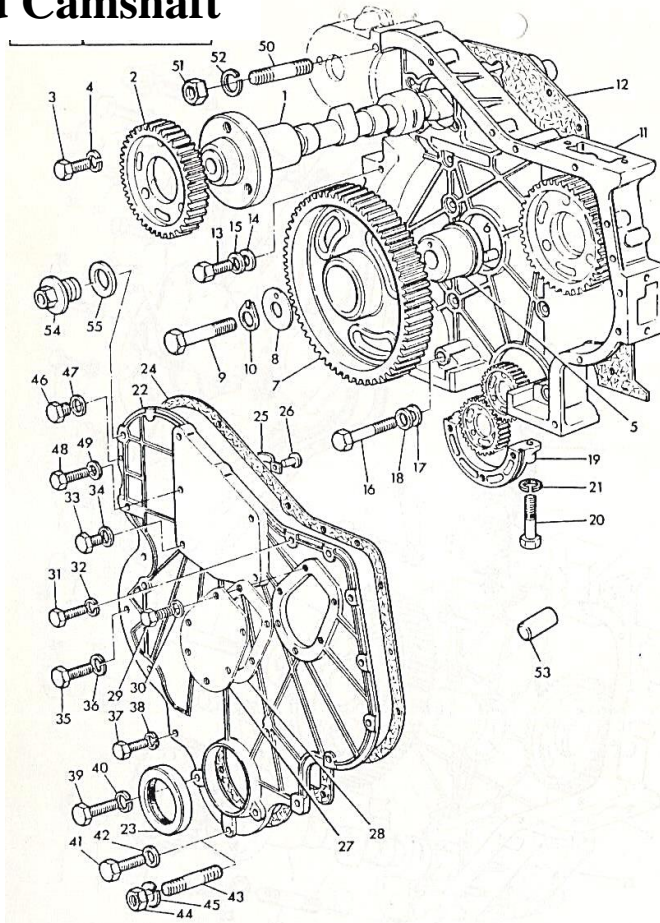
| REF No. | Part No. | Part Name | Qty. |
|---------|------------|----------------------------|------|
| 1 | 91242104DE | Kit, Crankshaft | 1 |
| 2 | 91242107DE | Crank | 1 |
| 3 | 91242108DE | Crank | X |
| 4 | 91242114DE | Kit, Bearing | 1 |
| 5 | 91242118DE | Washer | 2 |
| 6 | 91242119DE | Washer | 2 |
| 7 | 91242121DE | Kit, Bearing | 1 |
| 8 | 103016DE | Rod | 3 |
| 9 | 91242029DE | ConRod | 1 |
| 10 | 91242030DE | Cap | 1 |
| 11 | 91242020DE | Bush | 1 |
| 12 | 91242031DE | Bolt | 2 |
| 13 | 91242032DE | Nut | 2 |
| 14 | 91242122DE | Kit, Piston 3 groove | X |
| 15 | 91242127DE | Piston 3 groove | X |
| 16 | 91242131DE | Pin | X |
| 17 | 91242141DE | Circlip | X |
| 18 | 91242145DE | Kit, Piston Ring (3 Rings) | X |
| 19 | 91242123DE | Kit, Piston 5 groove | X |
| 20 | 91242128DE | Piston 5 groove | X |
| 21 | 91242132DE | Pin | X |
| 22 | 91242141DE | Circlip | X |
| 23 | 91242146DE | Kit, Piston Ring (5 Rings) | X |
| 24 | 91242124DE | Kit, Piston 4 groove | 3 |
| 25 | 91242129DE | Piston 4 groove | 1 |
| 26 | 91242132DE | Pin | 1 |
| 27 | 91242141DE | Circlip | 2 |
| 28 | 91242147DE | Kit, Piston Ring (4 Rings) | 3 |
| 29 | 91242153DE | Crank Gear | 1 |
| 30 | 91242158DE | Washer | 1 |

Timing Gear and Camshaft



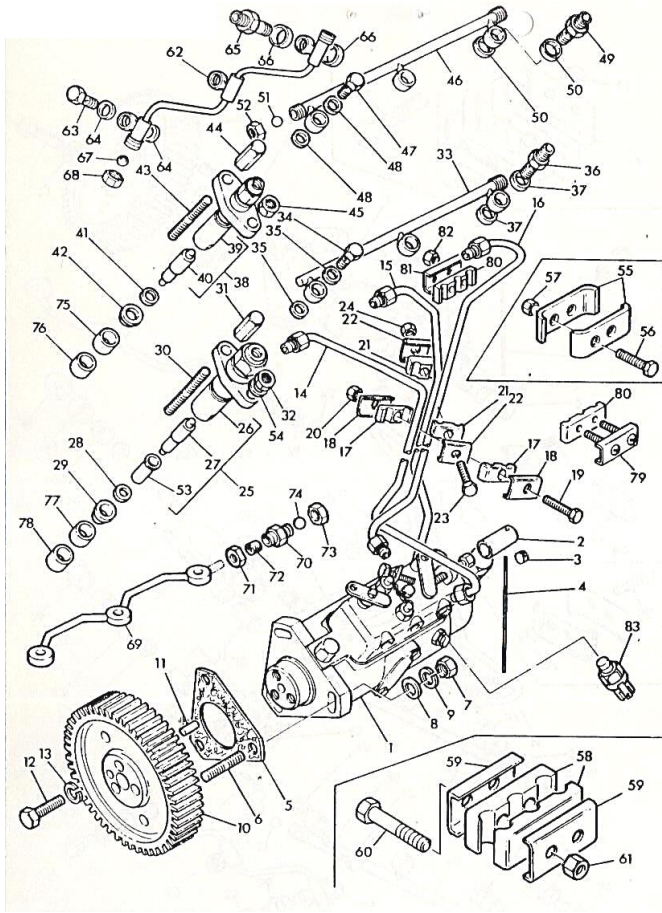
| REF No. | Part No. | Part Name | Qty. |
|---------|------------|-----------|------|
| 1 | 91246103DE | Camshaft | 1 |
| 2 | 91246128DE | Gear | 1 |
| 3 | 91246153DE | Screw | 3 |
| 4 | 91246178DE | Washer | 3 |
| 5 | 91246107DE | Hub | 1 |
| 6 | 91246133DE | Dowel | 1 |
| 7 | 91246158DE | Gear | 1 |
| 8 | 91246184DE | Plate | 1 |
| 9 | 91246208DE | Screw | 1 |
| 10 | 91246111DE | Washer | 1 |
| 11 | 91246137DE | Case | 1 |
| 12 | 91246166DE | Joint | 1 |
| 13 | 91246191DE | Screw | 12 |
| 14 | 91246211DE | Washer | 12 |
| 15 | 91246115DE | Washer | X |
| 16 | 91246142DE | Screw | 2 |
| 17 | 91246169DE | Washer | 2 |
| 18 | 91246170DE | Washer | X |
| 19 | 91246193DE | Cover | 1 |
| 20 | 91246119DE | Screw | 2 |
| 21 | 91246146DE | Washer | 2 |
| 22 | 91246172DE | Cover | 1 |
| 23 | 91246197DE | Seal | 1 |
| 24 | 91246215DE | Joint | 1 |
| 25 | 91246124DE | Spring | 1 |
| 26 | 91246149DE | Rivet | 1 |
| 27 | 91246175DE | Cover | 1 |
| 28 | 91246200DE | Joint | 1 |
| 29 | 91246220DE | Screw | 6 |
| 30 | 91246126DE | Washer | 6 |

Timing Gear and Camshaft



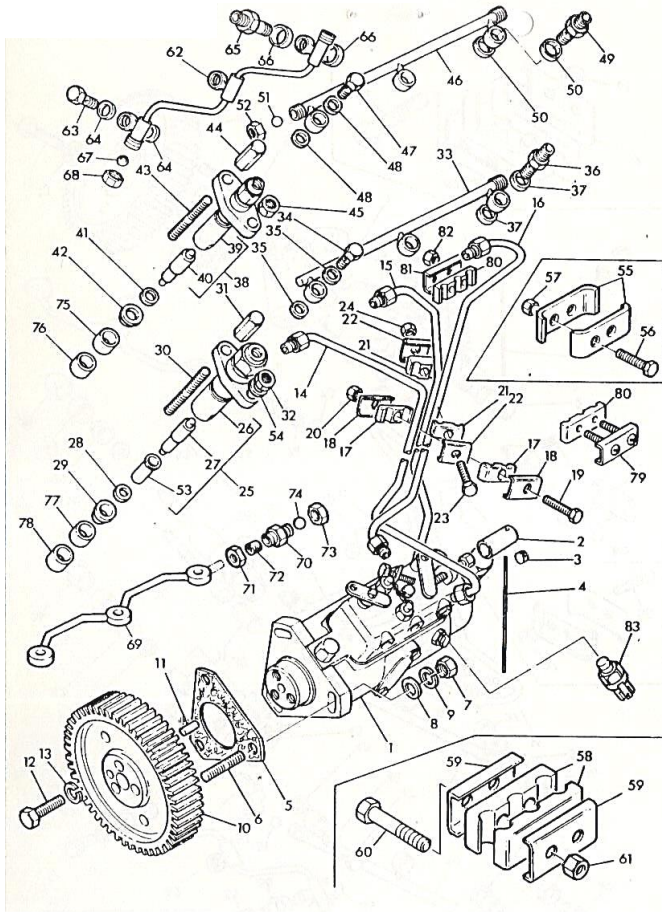
| REF No. | Part No. | Part Name | Qty. |
|---------|------------|-----------|------|
| 31 | 91247227DE | Screw | 8 |
| 32 | 91247255DE | Washer | 8 |
| 33 | 91247271DE | Screw | 3 |
| 34 | 91247291DE | Washer | 3 |
| 35 | 91247235DE | Screw | X |
| 36 | 91247259DE | Washer | X |
| 37 | 91247273DE | Screw | X |
| 38 | 91247293DE | Washer | X |
| 39 | 91247239DE | Screw | 3 |
| 40 | 91247262DE | Washer | 3 |
| 41 | 91247275DE | Screw | X |
| 42 | 91247296DE | Washer | X |
| 43 | 91247242DE | Stud | X |
| 44 | 91247263DE | Nut | X |
| 45 | 91247278DE | Washer | 1 |
| 46 | 91247245DE | Stud | X |
| 47 | 91247265DE | Washer | X |
| 48 | 91247285DE | Stud | X |
| 49 | 91247299DE | Washer | X |
| 50 | 91247248DE | Stud | 2 |
| 51 | 91247269DE | Nut | 2 |
| 52 | 91247288DE | Washer | 2 |
| 53 | 91247300DE | Bush | 1 |
| 54 | 91247253DE | Plug | 1 |
| 55 | 91247268DE | Washer | 1 |

Fuel Injection Equipment (Diesel)



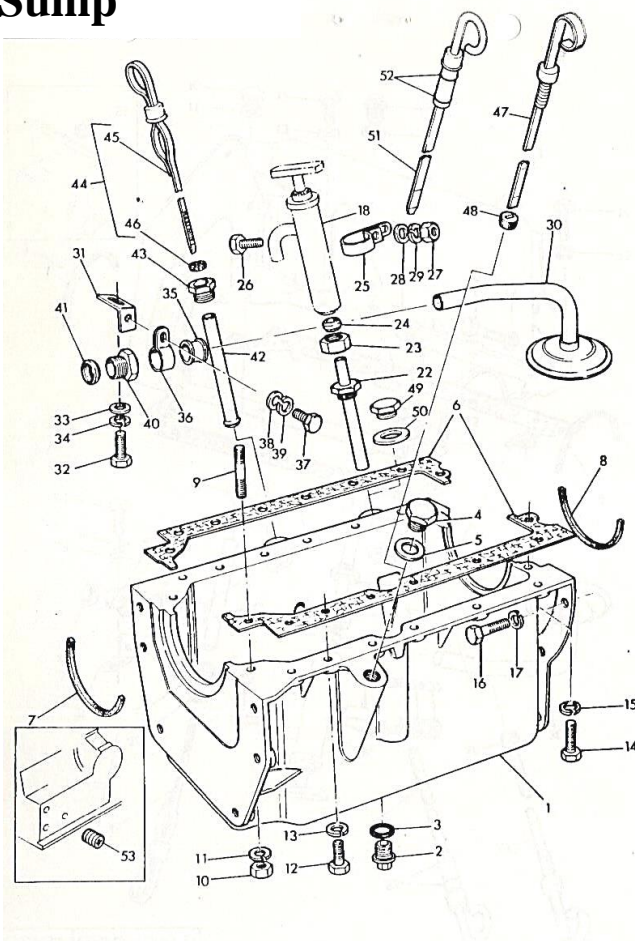
| REF No. | Part No. | Part Name | Qty. |
|---------|------------|----------------|------|
| 1 | 91249235DE | Injection Pump | 1 |
| 2 | 91249318DE | Sleeve | 1 |
| 3 | 91249401DE | Seal | 1 |
| 4 | 91249107DE | Wire | 1 |
| 5 | 91249245DE | Joint | 1 |
| 6 | 91249326DE | Stud | 3 |
| 7 | 91249111DE | Nut | 3 |
| 8 | 91249263DE | Washer | 3 |
| 9 | 91249337DE | Washer | 3 |
| 10 | 91249412DE | Gear | 1 |
| 11 | 91249142DE | Dowel | 1 |
| 12 | 91249268DE | Screw | 3 |
| 13 | 91249348DE | Washer | 3 |
| 14 | 91249160DE | Injection Pipe | 1 |
| 15 | 91249161DE | Injection Pipe | 1 |
| 16 | 91249162DE | Injection Pipe | 1 |
| 17 | 91249357DE | Bridle | 2 |
| 18 | 91249170DE | Plate | 2 |
| 19 | 91249272DE | Screw | 1 |
| 20 | 91249368DE | Nut | 1 |
| 21 | 91249420DE | Bridle | 2 |
| 22 | 91249185DE | Plate | 2 |
| 23 | 91249289DE | Screw | 1 |
| 24 | 91249382DE | Nut | 1 |
| 25 | 91249437DE | Atomiser | X |
| 26 | 91249201DE | Holder | X |
| 27 | 91249296DE | Nozzle | X |
| 28 | 91249391DE | Washer | X |
| 29 | 91249220DE | Spacer | X |
| 30 | 91249310DE | Stud | X |

Fuel Injection Equipment (Diesel)



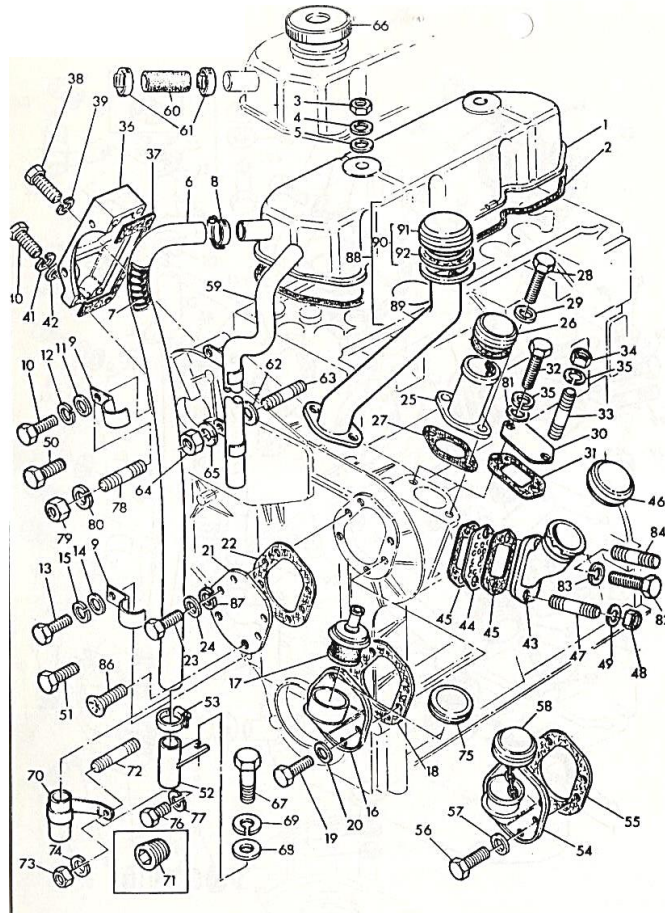
| REF No. | Part No. | Part Name | Qty. |
|---------|------------|-----------|------|
| 31 | 91210502DE | Nut | 3 |
| 32 | 91210561DE | Nut Unf | 3 |
| 33 | 91210600DE | Pipe | 1 |
| 34 | 91210509DE | Bolt | 2 |
| 35 | 91210575DE | Washer | 4 |
| 36 | 91210611DE | Bolt | 1 |
| 37 | 91210671DE | Washer | 2 |
| 38 | 91210513DE | Atomiser | 3 |
| 39 | 91210581DE | Holder | 1 |
| 40 | 91210621DE | Nozzle | 1 |
| 41 | 91210674DE | Washer | 3 |
| 42 | 91210520DE | Spacer | 3 |
| 43 | 91210586DE | Stud | 6 |
| 44 | 91210637DE | Nut | 3 |
| 45 | 91210678DE | Nut | 3 |
| 46 | 91210527DE | Pipe | X |
| 47 | 91210590DE | Bolt | X |
| 48 | 91210640DE | Washer | X |
| 49 | 91210681DE | Bolt | X |
| 50 | 91210537DE | Washer | X |
| 51 | 91210593DE | Ball | X |
| 52 | 91210645DE | Nut | X |
| 53 | 91210688DE | Cap | 1 |
| 54 | 91210545DE | Washer | 3 |
| 69 | 91210594DE | Fuel Pipe | 3 |
| 70 | 91210661DE | Union | 1 |
| 71 | 91210691DE | Union Nut | 1 |
| 72 | 91210551DE | Olive | 1 |
| 75 | 91210599DE | Spacer | 3 |
| 76 | 91210664DE | Seal | 3 |

Lubricating Oil Sump



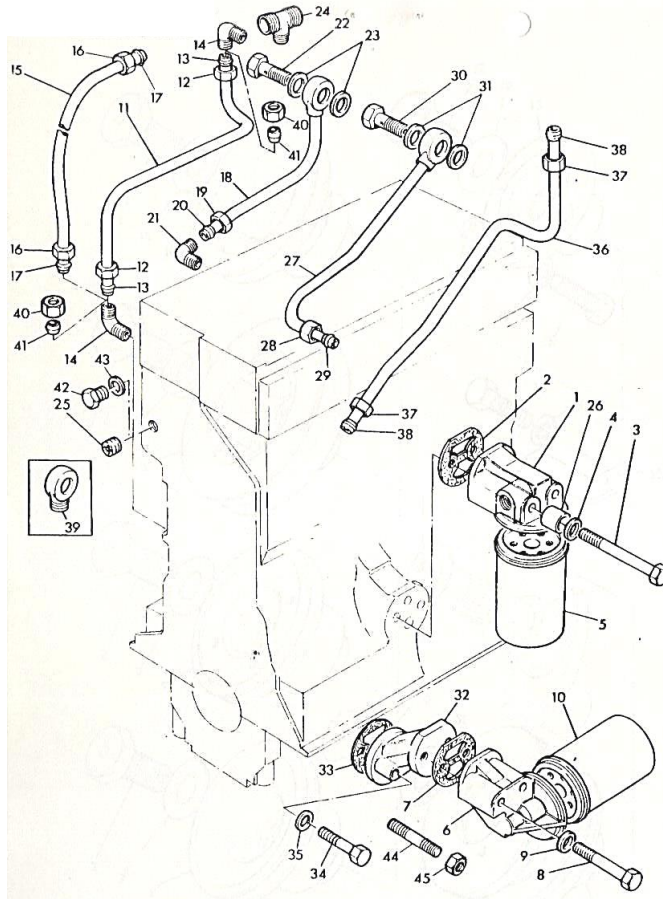
| REF No. | Part No. | Part Name | Qty. |
|---------|------------|-----------|------|
| 1 | 91215052DE | Sump | 1 |
| 2 | 91215181DE | Plug | 1 |
| 3 | 91215298DE | Washer | 1 |
| 4 | 91215071DE | Stud | 1 |
| 5 | 91215191DE | Washer | 1 |
| 6 | 91215313DE | Joint | 1 |
| 7 | 91215074DE | Joint | 1 |
| 8 | 91215202DE | Joint | 1 |
| 9 | 91215329DE | Stud | 2 |
| 10 | 91215091DE | Nut | 2 |
| 11 | 91215211DE | Washer | 2 |
| 12 | 91215339DE | Screw | 12 |
| 13 | 91215099DE | Washer | 12 |
| 14 | 91215219DE | Screw | 2 |
| 15 | 91215342DE | Washer | 2 |
| 16 | 91215107DE | Stud | X |
| 17 | 91215222DE | Washer | X |
| 30 | 91215351DE | Pipe | 1 |
| 31 | 91215111DE | Bracket | 1 |
| 32 | 91215229DE | Bolt | 1 |
| 33 | 91215367DE | Washer | 1 |
| 34 | 91215368DE | Washer | 1 |
| 35 | 91215131DE | Bush | 1 |
| 36 | 91215233DE | Clip | 1 |
| 37 | 91215237DE | Bolt | 1 |
| 38 | 91215153DE | Washer | 1 |
| 39 | 91215421DE | Washer | 1 |
| 40 | 91215247DE | Union | 1 |
| 41 | 91215167DE | Olive | 1 |
| 42 | 91215291DE | Tube | 1 |

Lubricating Oil Filter and Breather



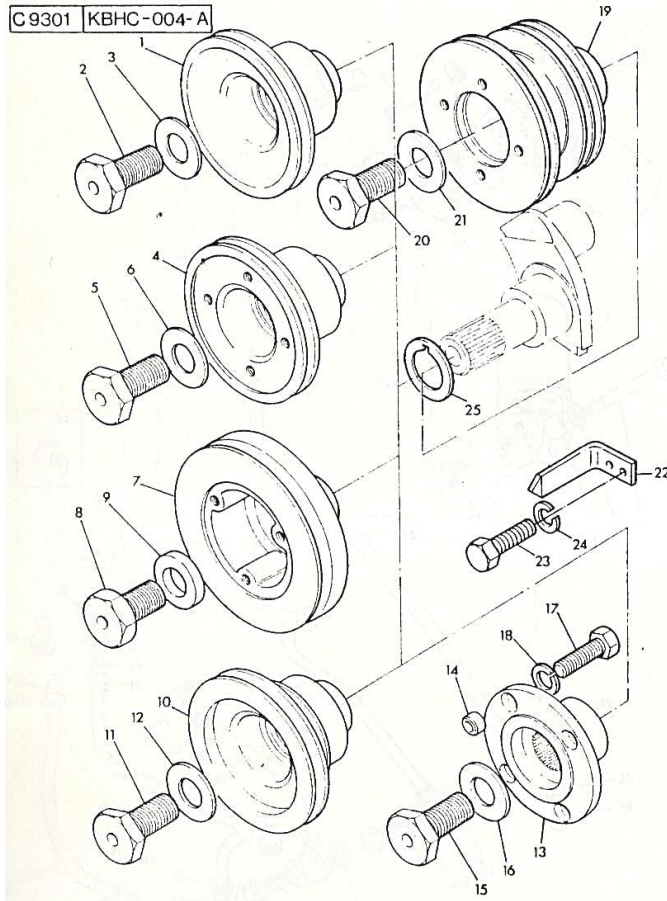
| REF No. | Part No. | Part Name | Qty. |
|---------|------------|-----------|------|
| 1 | 91217032DE | Cover | 1 |
| 2 | 91217137DE | Joint | 1 |
| 3 | 91217207DE | Nut | 2 |
| 4 | 91217059DE | Washer | 2 |
| 5 | 91217141DE | Washer | 2 |
| 6 | 91217213DE | Pipe | 1 |
| 7 | 91217301DE | Spring | 1 |
| 8 | 91217067DE | Clip | 1 |
| 9 | 91217146DE | Clip | 2 |
| 14 | 91217217DE | Washer | 1 |
| 21 | 91217073DE | Plate | 1 |
| 22 | 91217169DE | Joint | 1 |
| 24 | 91217221DE | Washer | 6 |
| 30 | 91217310DE | Plate | 1 |
| 31 | 91217087DE | Joint | 1 |
| 32 | 91217171DE | Screw | 2 |
| 35 | 91217231DE | Washer | 2 |
| 43 | 91217097DE | Filter | 1 |
| 44 | 91217193DE | Strainer | 1 |
| 45 | 91217241DE | Joint | 2 |
| 46 | 91217315DE | Cap | 1 |
| 47 | 91217109DE | Stud | 2 |
| 48 | 91217199DE | Nut | 2 |
| 49 | 91217271DE | Washer | 2 |
| 50 | 91217119DE | Screw | 1 |
| 51 | 91217202DE | Screw | 1 |
| 86 | 91217129DE | Screw | 6 |

Lubricating Oil Filter and Integral Oil Cooler



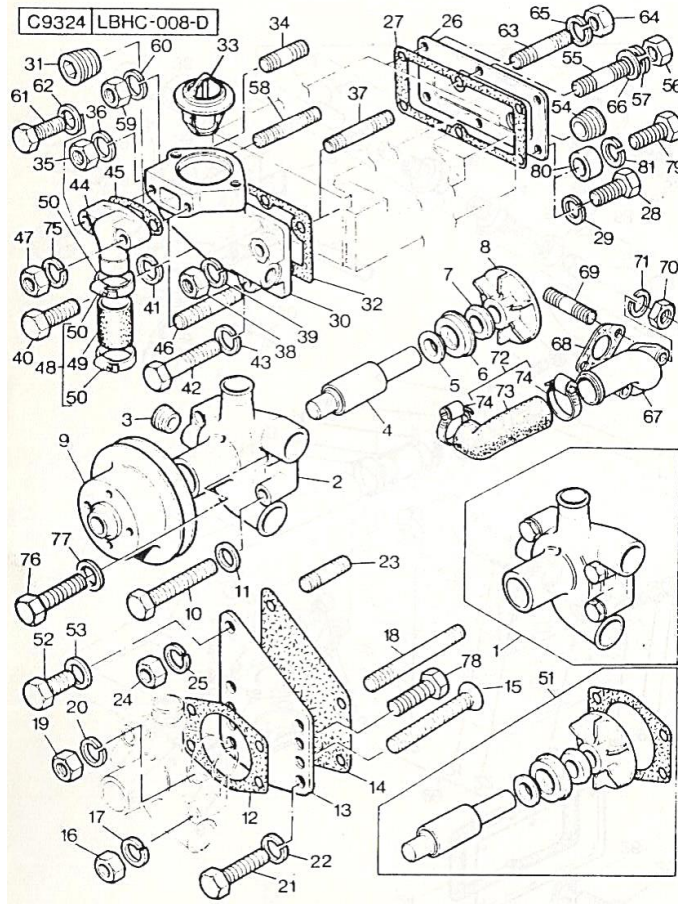
| REF No. | Part No. | Part Name | Qty. |
|---------|------------|------------|------|
| 1 | 91218002DE | Head | 1 |
| 2 | 91218108DE | Joint | 1 |
| 3 | 91218209DE | Bolt | 2 |
| 4 | 91218008DE | Washer | 2 |
| 5 | 91218118DE | Oil filter | 1 |
| 6 | 91218209DE | Head | 1 |
| 7 | 91218321DE | Joint | 1 |
| 8 | 91218012DE | Screw | 1 |
| 9 | 91218126DE | Washer | 1 |
| 10 | 91218222DE | Filter | 1 |
| 11 | 91218332DE | Pipe | 1 |
| 12 | 91218021DE | Union Nut | 2 |
| 13 | 91218131DE | Olive | 2 |
| 14 | 91218239DE | Connection | 2 |
| 15 | 91218346DE | Pipe | 1 |
| 16 | 91218038DE | Union Nut | 2 |
| 17 | 91218139DE | Olive | 2 |
| 18 | 91218241DE | Pipe | 1 |
| 19 | 91218357DE | Union Nut | 1 |
| 20 | 91218049DE | Olive | 1 |
| 21 | 91218146DE | Connection | 1 |
| 22 | 91218259DE | Bolt | 1 |
| 23 | 91218361DE | Washer | 2 |
| 24 | 91218079DE | T-joint | 1 |
| 25 | 91218176DE | Plug | 1 |
| 26 | 91218271DE | Spacer | 1 |
| 27 | 91218091DE | Pipe | 1 |
| 28 | 91218201DE | Union Nut | 1 |
| 29 | 91218296DE | Olive | 1 |
| 30 | 91218101DE | Screw | 1 |

Front end Drive Innut



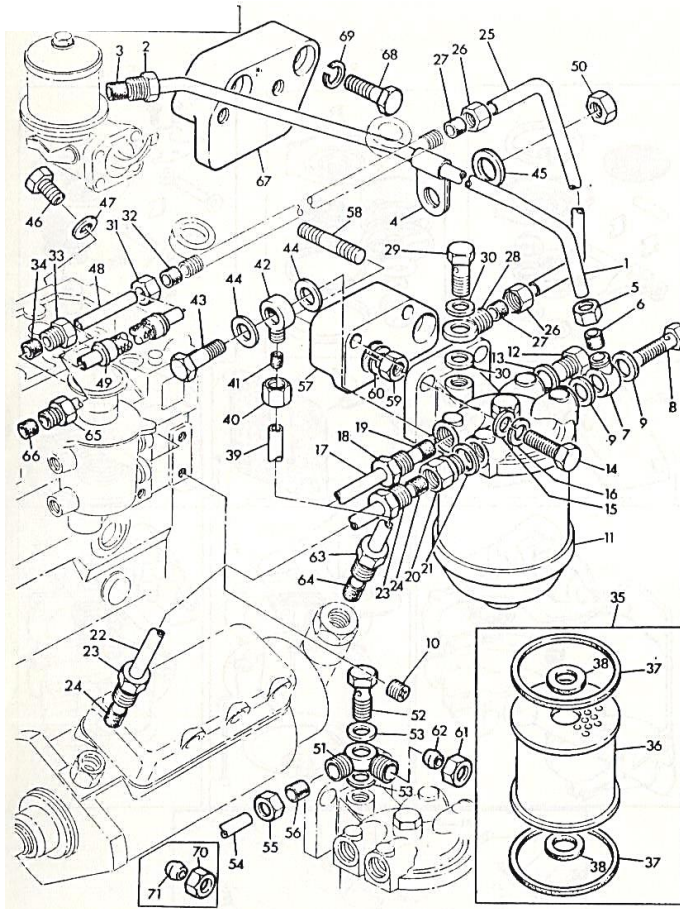
| REF No. | Part No. | Part Name | Qty. |
|---------|------------|-----------|------|
| 1 | 91220001DE | Pulley | X |
| 2 | 91220015DE | Washer | X |
| 3 | 91220020DE | Screw | X |
| 4 | 91220002DE | Pulley | X |
| 5 | 91220020DE | Screw | X |
| 6 | 91220015DE | Washer | X |
| 7 | 91220003DE | Pulley | X |
| 8 | 91220020DE | Screw | X |
| 9 | 91220015DE | Washer | X |
| 10 | 91220004DE | Pulley | X |
| 11 | 91220020DE | Screw | X |
| 12 | 91220015DE | Washer | X |
| 13 | 91220005DE | Pulley | X |
| 14 | 91220084DE | Nut | X |
| 15 | 91220020DE | Screw | X |
| 16 | 91220015DE | Washer | X |
| 17 | 91220022DE | Screw | X |
| 18 | 91220016DE | Washer | X |
| 19 | 91220006DE | Pulley | X |
| 20 | 91220020DE | Screw | X |
| 21 | 91220015DE | Washer | X |
| 22 | 91220041DE | L | X |
| 23 | 91220025DE | Screw | X |
| 24 | 91220016DE | Washer | X |
| 25 | 91220017DE | Washer | X |

Water Pump, Thermostat and Head Exchanger



| REF No. | Part No. | Part Name | Qty. |
|---------|------------|-------------|------|
| 1 | 91222000DE | Washer Pump | X |
| 2 | 91222057DE | Body | 1 |
| 3 | 91222141DE | Plug | 1 |
| 4 | 91222271DE | Shaft | 1 |
| 5 | 91222064DE | Flange | 1 |
| 6 | 91222159DE | Seal | 1 |
| 7 | 91222277DE | Seal | 1 |
| 8 | 91222081DE | Impeller | 1 |
| 9 | 91222161DE | Pully | 1 |
| 10 | 91222281DE | Screw | 2 |
| 11 | 91222082DE | Washer | 2 |
| 12 | 91222198DE | Joint | 1 |
| 13 | 91222299DE | Plate | 1 |
| 14 | 91222089DE | Joint | 1 |
| 15 | 91222209DE | Screw | 2 |
| 16 | 91222301DE | Nut | 2 |
| 17 | 91222351DE | Washer | 2 |
| 18 | 91222099DE | Stud | 2 |
| 19 | 9122214DE | Nut | 2 |
| 20 | 91222310DE | Washer | 2 |
| 21 | 91222104DE | Screw | 2 |
| 22 | 91222235DE | Washer | 2 |
| 23 | 91222319DE | Stud | 1 |
| 24 | 91222109DE | Nut | 1 |
| 25 | 91222238DE | Washer | 1 |
| 26 | 91222340DE | Plate | 1 |
| 27 | 91222119DE | Joint | 1 |
| 28 | 91222241DE | Screw | 4 |
| 29 | 91222132DE | Washer | 4 |
| 30 | 91222261DE | Connection | 1 |

Low Pressure Fuel System



| REF No. | Part No. | Part Name | Qty. |
|---------|------------|--------------|------|
| 1 | 91229004DE | Lift Pump | 1 |
| 2 | 91229157DE | Spring | 1 |
| 3 | 91229383DE | Kit, Repair | X |
| 4 | 91229041DE | Lift Pump | 1 |
| 5 | 91229181DE | Spring | 1 |
| 6 | 91229394DE | Kit, Repair | X |
| 11 | 91229701DE | Stud | 2 |
| 12 | 91229057DE | Nut | 2 |
| 13 | 91229211DE | Washer | 2 |
| 14 | 91229399DE | Plug | 2 |
| 16 | 91229081DE | Screw | 2 |
| 17 | 91229237DE | Washer | 2 |
| 22 | 91229440DE | Joint | 1 |
| 23 | 91229850DE | Nut | 2 |
| 24 | 91229096DE | Olive | 2 |
| 25 | 91229291DE | Pipe | 1 |
| 26 | 91229472DE | Union Nut | 2 |
| 27 | 91229915DE | Olive | 2 |
| 28 | 91229101DE | Connection | 1 |
| 29 | 91229301DE | Bolt | 1 |
| 30 | 91229496DE | Washer | 2 |
| 31 | 91229950DE | Union Nut | 1 |
| 32 | 91229115DE | Olive | 1 |
| 35 | 91229337DE | Kit, Element | X |
| 36 | 91229503DE | Element | 1 |
| 37 | 91229127DE | Joint | 2 |
| 38 | 91229341DE | Seal | 1 |
| 39 | 91229510DE | Pipe | 1 |
| 40 | 91229151DE | Union Nut | 1 |
| 41 | 91229374DE | Olive | 1 |

